



heatilator[®]

The first name in fireplaces



Pioneer II

EPA Wood-Burning Fireplace

Product Overview

Enjoy hassle-free performance that's ideal for everyday use. The efficiency of the EPA- approved Pioneer II supplies long burn times with nonstop rolling flames. Never has it been easier to set the mood for relaxing or just keeping your home or cabin toasty warm.

Features

- Heats 1,000-2,600 sq. ft. with 68,200 BTUs, based on climate and home efficiency
- 22" recommended log length and 2.7 cu. ft. firebox capacity
- Up to 10 hours of burn time form each load of wood
- Comes standard with front and black arched door
- Certified to the EPA 2020 emissions standards



Options

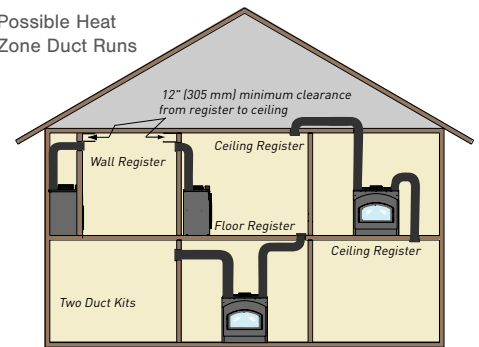
- Fire screen
- Heat distribution kit
- Hearth extension
- Lintel bar

Heat Management

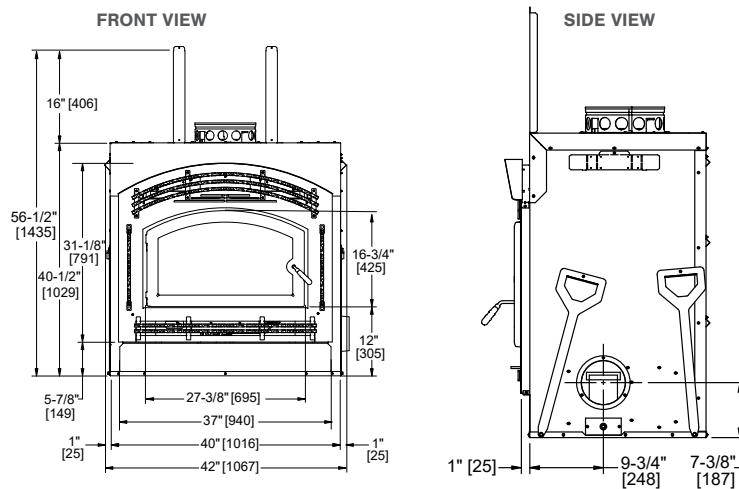
Optional Heat Zone Kit

With zone heating, you can easily reduce your energy 5-7/8" 27-3/8" [695] 1" [25] consumption by up to 40%, and reduce your utility bill in the process. Using a Heatilator fireplace as a supplemental heating source, you can turn down your central furnace or boiler system and still maintain comfortable temperatures in your common living area.

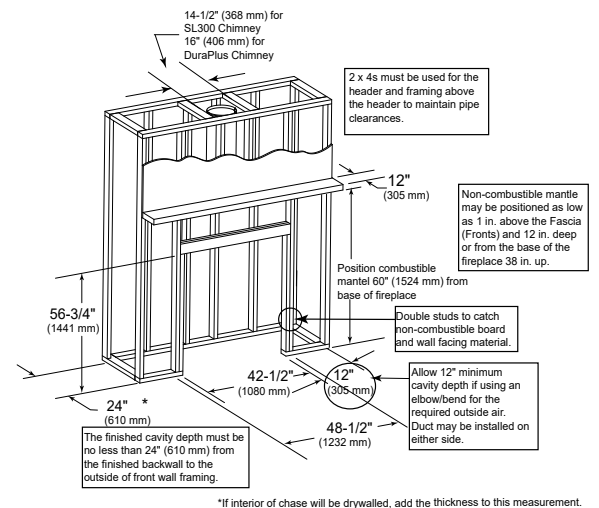
Possible Heat Zone Duct Runs



Product Dimensions



Framing Dimensions



Available from

heatilator
The first name in fireplaces

800-927-6841 | heatilator.com

Limited Lifetime Warranty

The strongest in the industry, Heatilator provides a limited lifetime warranty on wood-burning products of the most important aspects: firebox and heat exchanger.

The information provided in this literature is for planning purposes only and subject to change. Please consult the installation manual for actual installation. Actual product appearance may differ from product images. Fireplace glass and other surfaces get extremely HOT and can cause severe burns if touched. Keep a safe distance away. To learn more visit www.heatilator.com/fireplace-safety.



HTL-1112U-0723